

# MANUAL

DOUBLE POLE



**S190 SERIES**  
BATTERY MASTER SWITCH



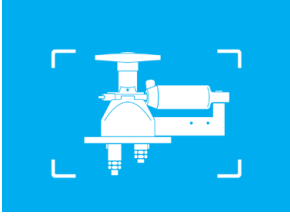
## **S190 SERIES**

MANUAL CONTROL

250 A CONTINUOUS RATING ●

ADR APPROVAL ●

PNEUMATIC CONTROL ●



# S 190 SERIES

BATTERY MASTER SWITCH

## TECHNICAL DATA

### MAIN CHARACTERISTICS

Polarity	GND and + CUT-OFF
Temperature range	- 40 to +85 °C
Housing material	Zinc alloy
Housing color	metallic
Weight	1500 g
Protection degree (ISO 20653)	IP65
ADR Approval	Ex ia IIC
Compliant with directive	REACH (2006/121/EC) - ELV (2000/53/EC)

### POWER CIRCUIT

Continuous rating	250 A
Overload	2500 A
Max DC voltage	48 V
Terminals size	M10
Contact resistance	<2 mΩ
Tightening torque	13 N.m ±20%
Terminals material	Copper

### CONTROL CIRCUIT

Handle color	Red thermoplastic
Type of cylinder	Double effect
Pressure	4.5 to 10 bar
Tightening torque	8 N.m ±20%

### AUXILIARY CIRCUIT

Type	see «product selection»
Continuous rating	10 A
Terminals size	M6
Tightening torque	5 N.m ±20%

## DIMENSIONS

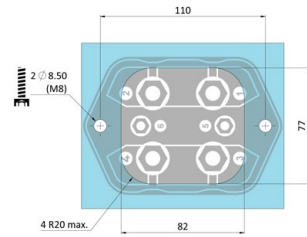
	TERMINALS 1 - 3			TERMINALS 2 - 4		
	Terminals length (L1)	Terminals height (L2)	Under nuts height (L3)	Terminals length (L4)	Terminals height (L5)	Under nuts height (L6)
200091	49 mm	36 mm	5 mm	29 mm	16 mm	5 mm
200092	49 mm	36 mm	5 mm	29 mm	16 mm	5 mm
200094	49 mm	36 mm	5 mm	29 mm	16 mm	5 mm
200096	49 mm	36 mm	5 mm	29 mm	16 mm	5 mm
200099	49 mm	36 mm	5 mm	29 mm	16 mm	6 mm
202291	59 mm	34 mm	16 mm	39 mm	16 mm	13 mm

## PRODUCT SELECTION

P/N	HANDLE TYPE	AUXILIARY CIRCUIT	PNEUMATIC FITTING
200091	Fixed / 2 positions	D+	M10x100
200092	Removable	D+	M10x100
200094	Fixed / 2 positions	Normally open	M10x100
200096	Removable	Normally open	M10x100
200099	Fixed / 2 positions	Normally open	M10x100
202291	Fixed / 2 positions	Normally open	NPTF 1/8-27

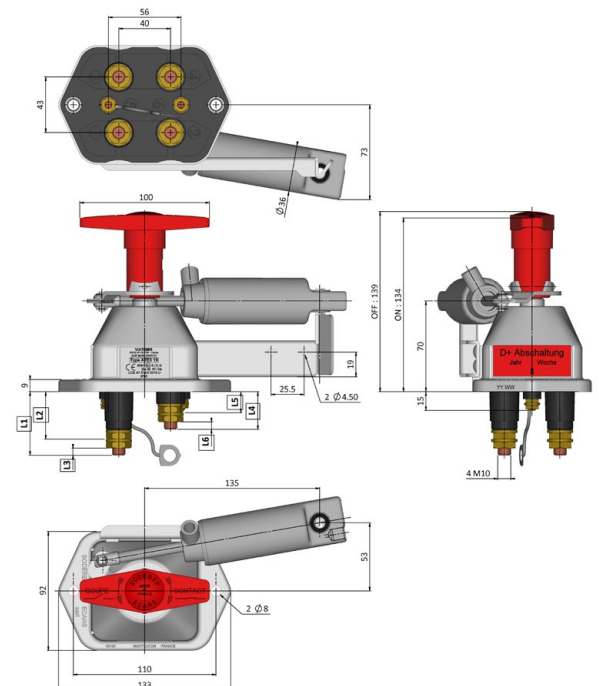
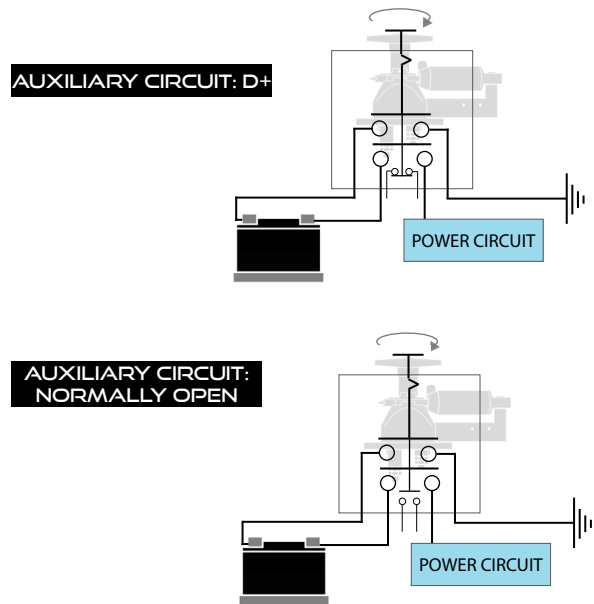
On request: specific technical demand can be studied

## MOUNTING INTERFACE



Screwing torque  
M8: 10N.m±10%

## ELECTRICAL DIAGRAM



**⚠ NOT SUITABLE FOR REGULAR SWITCHING UNDER LOAD**