

MANUAL SINGLE POLE



S20 SERIES
BATTERY MASTER SWITCH



S 20 SERIES

MANUAL CONTROL

- 150 A CONTINUOUS RATING ●
- MARINE APPROVAL ACCORDING TO ISO 8846 ●
- PROTECTION DEGREE IP65 ●



S 20 SERIES

BATTERY MASTER SWITCH

TECHNICAL DATA

MAIN CHARACTERISTICS

Temperature range	- 40 to +85 °C
Housing: color / material	See table / Zinc alloy
Weight	200 g
Protection degree (ISO20653)	IP65
MARINE Approval	ISO 8846
Compliant with directive	REACH (2006/121/EC) - ELV (2000/53/EC)

POWER CIRCUIT

Continuous rating	150 A
Overload	1000 A (5 s)
Max DC voltage	48 V
Terminals size	M10
Contact resistance	<10 mΩ
Tightening torque	9 N.m ±10%
Terminals material	Copper

CONTROL CIRCUIT

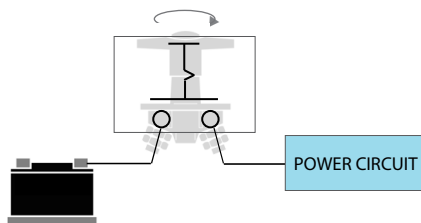
Type of handle	Fixed / 2 positions ON-OFF
Handle: color / material	See table / Thermoplastic

PRODUCT SELECTION

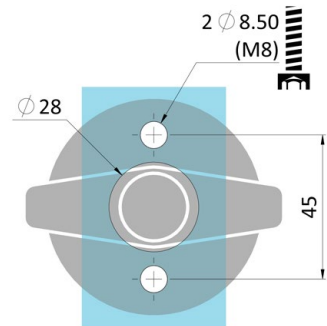
P/N	POLARITY	HANDLE COLOR	HOUSING COLOR	TERMINAL LENGTH
200023	GND CUT-OFF	■	White galvanized	4 mm
200048	+ CUT-OFF	■	White epoxy	4 mm
200049	GND CUT-OFF	■	White epoxy	4 mm
201363	+ CUT-OFF	■	White galvanized	4 mm
201540	+ CUT-OFF	■	White galvanized	13 mm
201543	GND CUT-OFF	■	White galvanized	13 mm

On request: specific technical demand can be studied

ELECTRICAL DIAGRAM

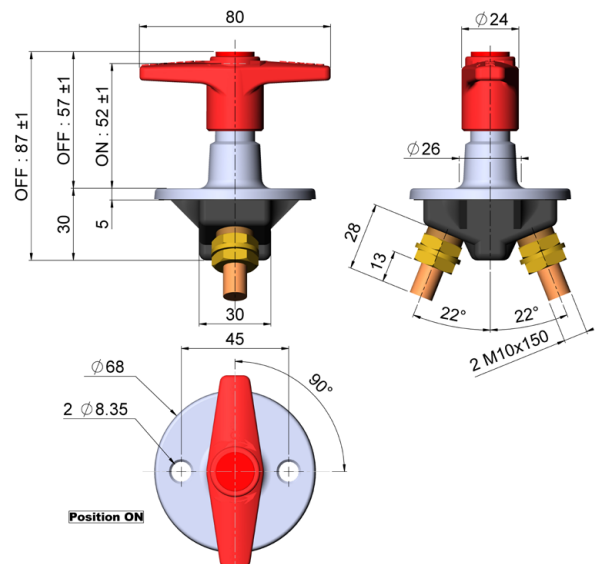


MOUNTING INTERFACE



Screwing torque M8 : 10N.m ±10%

DIMENSIONS



⚠ NOT SUITABLE FOR REGULAR SWITCHING UNDER LOAD