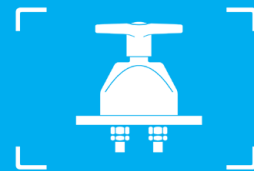


MANUAL DOUBLE POLE



S190 SERIES
BATTERY MASTER SWITCH



S190 SERIES

MANUAL CONTROL

UP TO 300 A CONTINUOUS RATING ●

SIAE APPROVAL ●



S190 SERIES

BATTERY MASTER SWITCH

TECHNICAL DATA

MAIN CHARACTERISTICS

| | |
|-------------------------------|--|
| Polarity | GND and + CUT-OFF |
| Temperature range | - 40 to +85 °C |
| Housing material | Zinc alloy |
| Weight | 1100 g |
| Protection degree (ISO 20653) | IP65 |
| Compliant with directive | REACH (2006/121/EC) - ELV (2000/53/EC) |

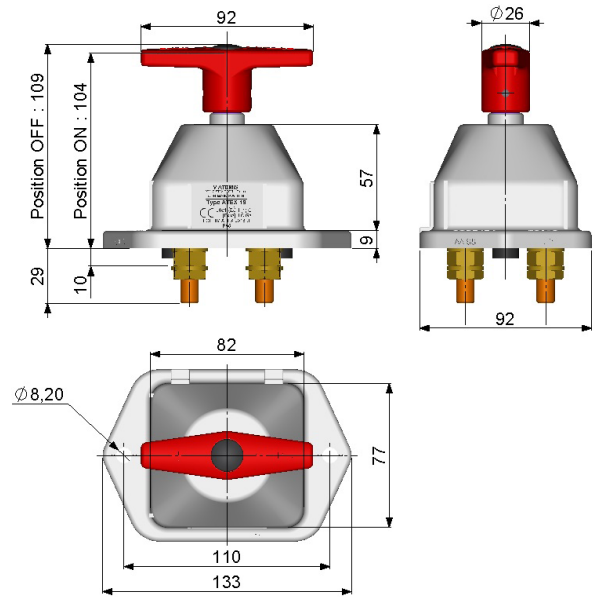
POWER CIRCUIT

| | |
|--------------------|--------------|
| Max DC voltage | 48 V |
| Terminals size | M10 |
| Contact resistance | <2 mΩ |
| Tightening torque | 13 N.m ± 20% |

CONTROL CIRCUIT

| | |
|----------------|---------------------|
| Type of handle | Fixed / 2 Positions |
| Handle color | Red thermoplastic |

DIMENSIONS

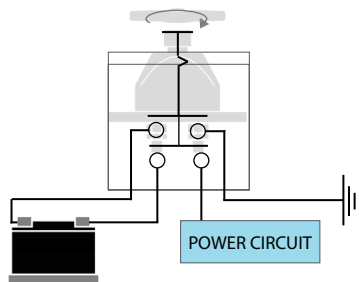


PRODUCT SELECTION

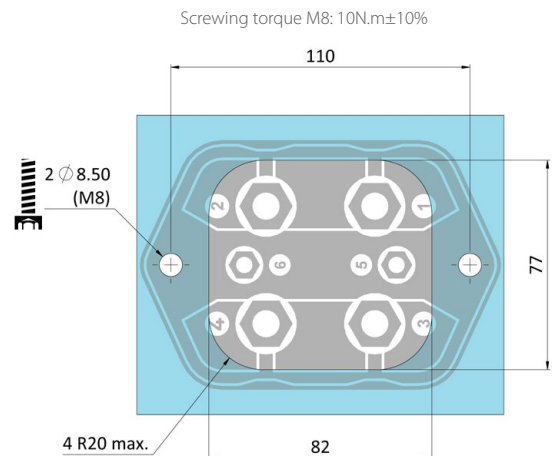
| P/N | HOUSING COLOR | WEIGHT | CONTINUOUS RATING | OVERLOAD | TERMINALS LENGTH | TERMINALS MATERIAL | ACCESSORIES |
|--------|---------------|--------|-------------------|-------------|------------------|----------------------|-------------|
| 200232 | Metallic | 1200 g | 250 A | 2500 A (5s) | 5 mm | Copper | - |
| 203098 | Metallic | 1100 g | 300 A | 3000 A (5s) | 12 mm | Silver Plated Copper | Rubber boot |
| 200015 | Metallic | 1100 g | 250 A | 2500 A (5s) | 12 mm | Copper | - |
| 200034 | Metallic | 1100 g | 250 A | 2500 A (5s) | 15 mm | Copper | - |
| 200047 | White | 1100 g | 250 A | 2500 A (5s) | 12 mm | Copper | - |

On request: specific technical demand can be studied

ELECTRICAL DIAGRAM



MOUNTING INTERFACE



⚠ NOT SUITABLE FOR REGULAR SWITCHING UNDER LOAD