

S701 SERIES

PROTECTION DEGREE IP65 & IPx9K ●
2 POSITIONS ADR ROTARY SWITCH COVER ●



TECHNICAL DATA

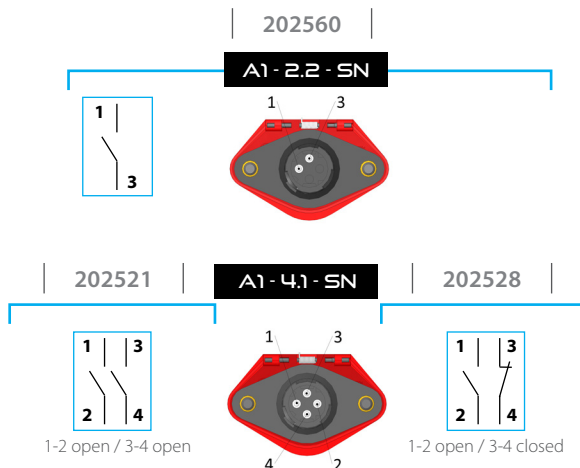
MAIN CHARACTERISTICS

Temperature range	-40° to +85°C
Housing: color / material	Black & red / Thermoplastic glass reinforced
Weight	100 g
Protection degree (ISO20653)	IP65 & IPx9K (with connector)
Salt spray resistance	400 h
Compliant with directive	REACH (2006/121/EC) - ELV (2000/53/EC)
ADR Approval	ADR regulation (cover prevent from inadvertent operations)

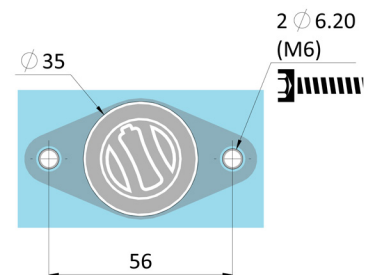
POWER CIRCUIT

Continuous rating	5 A
Max DC voltage	48 V
Terminals	Tin plated
Connection	ISO15170/DIN72585

ELECTRICAL DIAGRAM

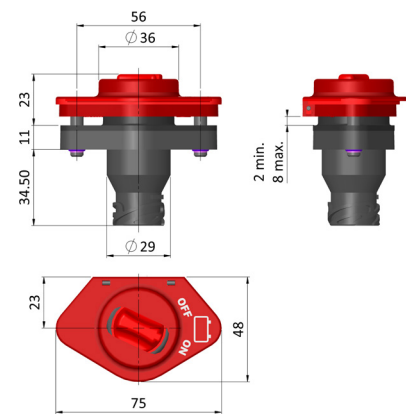


MOUNTING INTERFACE



Screwing torque M6 : 6 N.m±20%

DIMENSIONS



ACCESSORIES



POINTS	COLOR
1	Brown
2	Yellow
3	White
4	Green

202326
SÉRIE S713
Kit cabling
Twist lock connector
ISO15170/DIN 72585
with 3-meter cable